
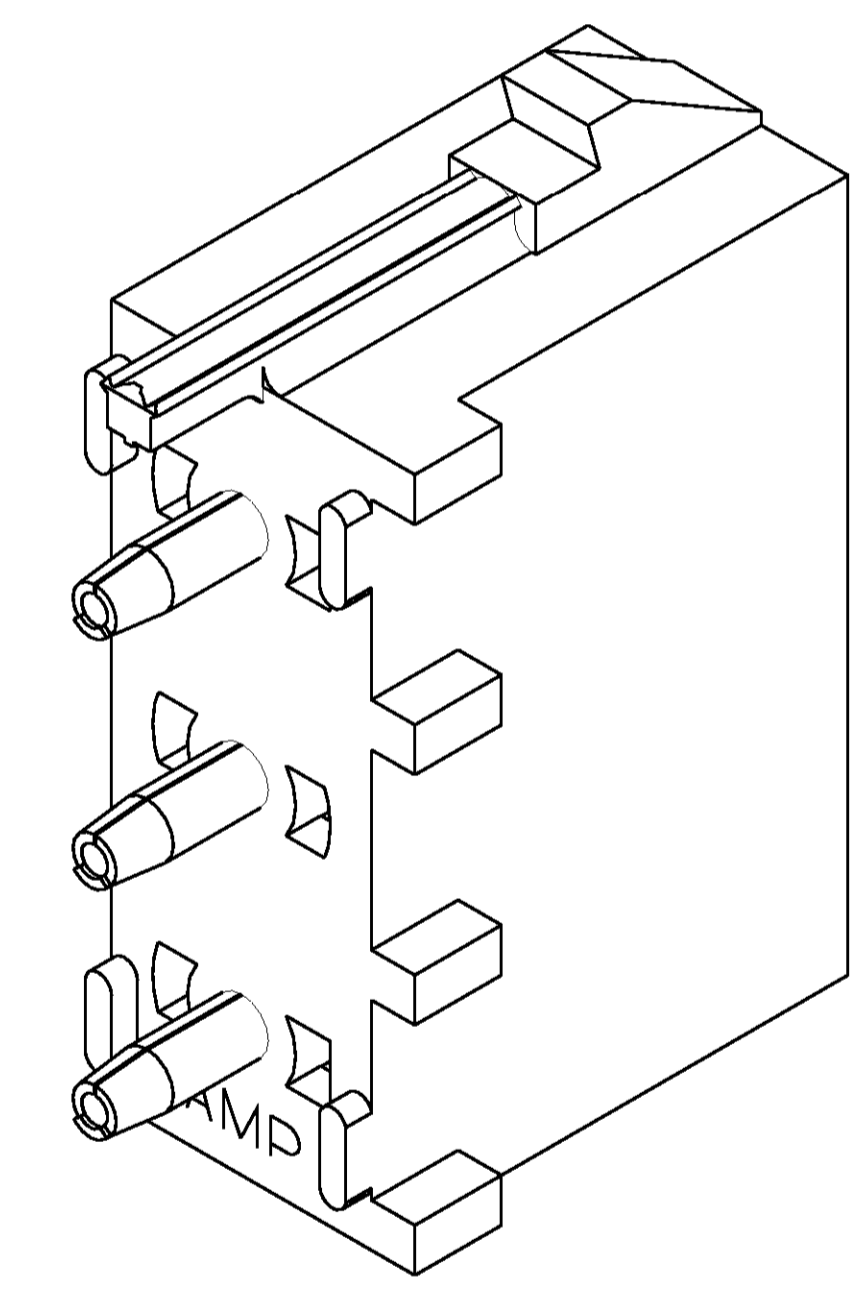
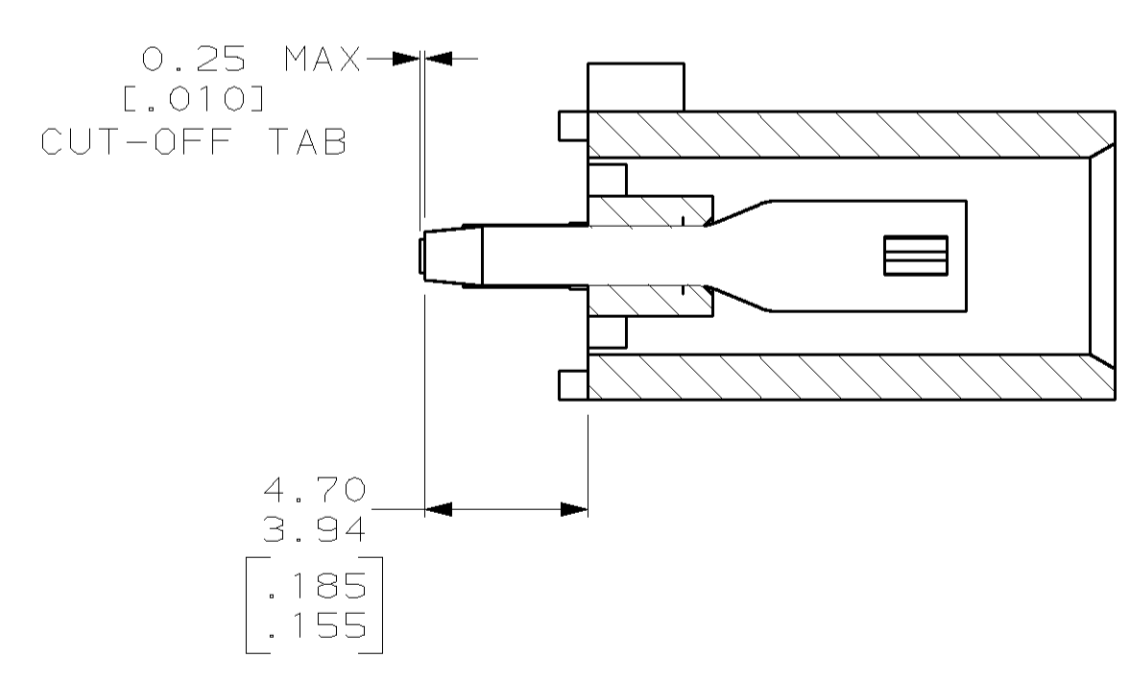
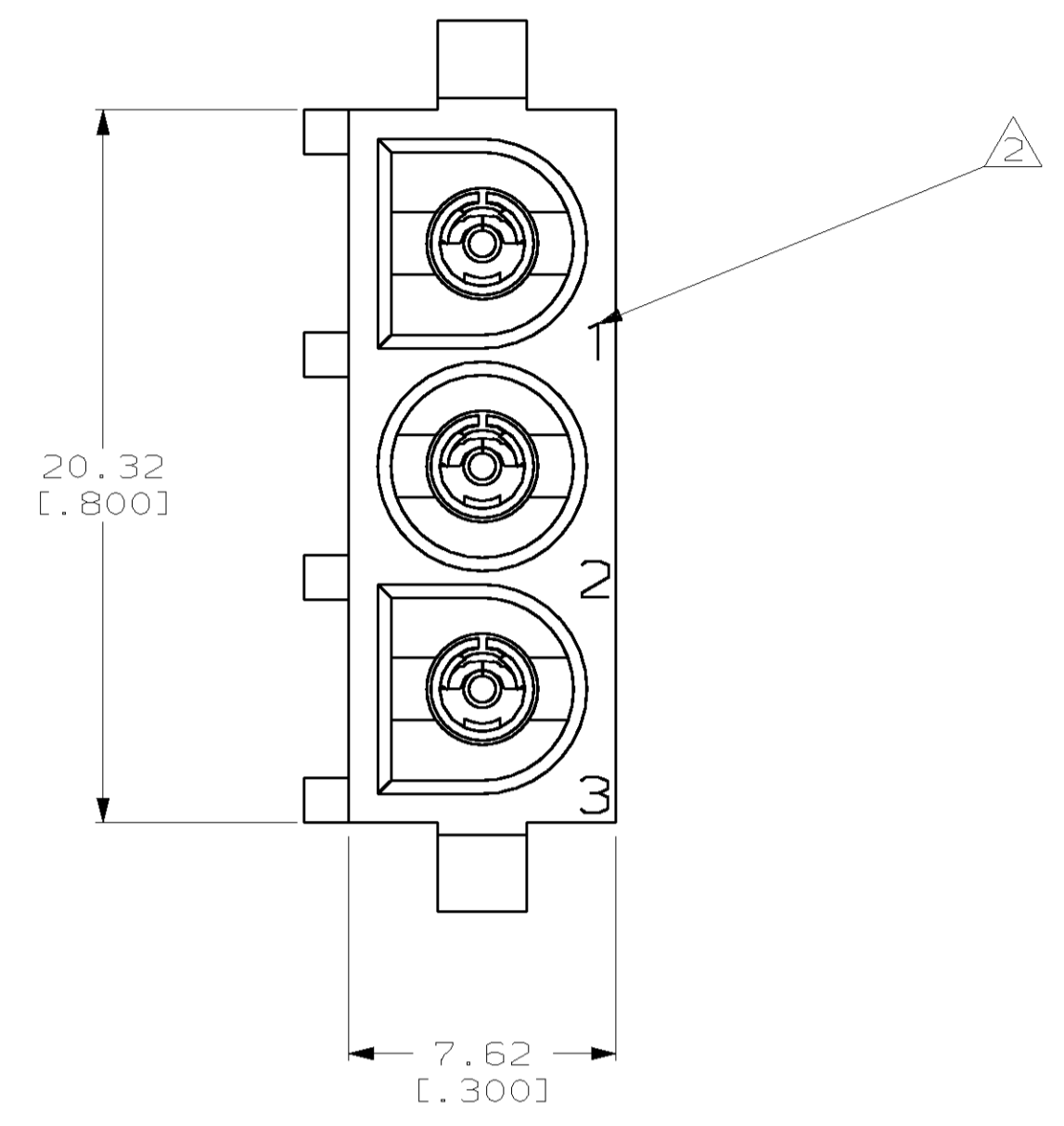
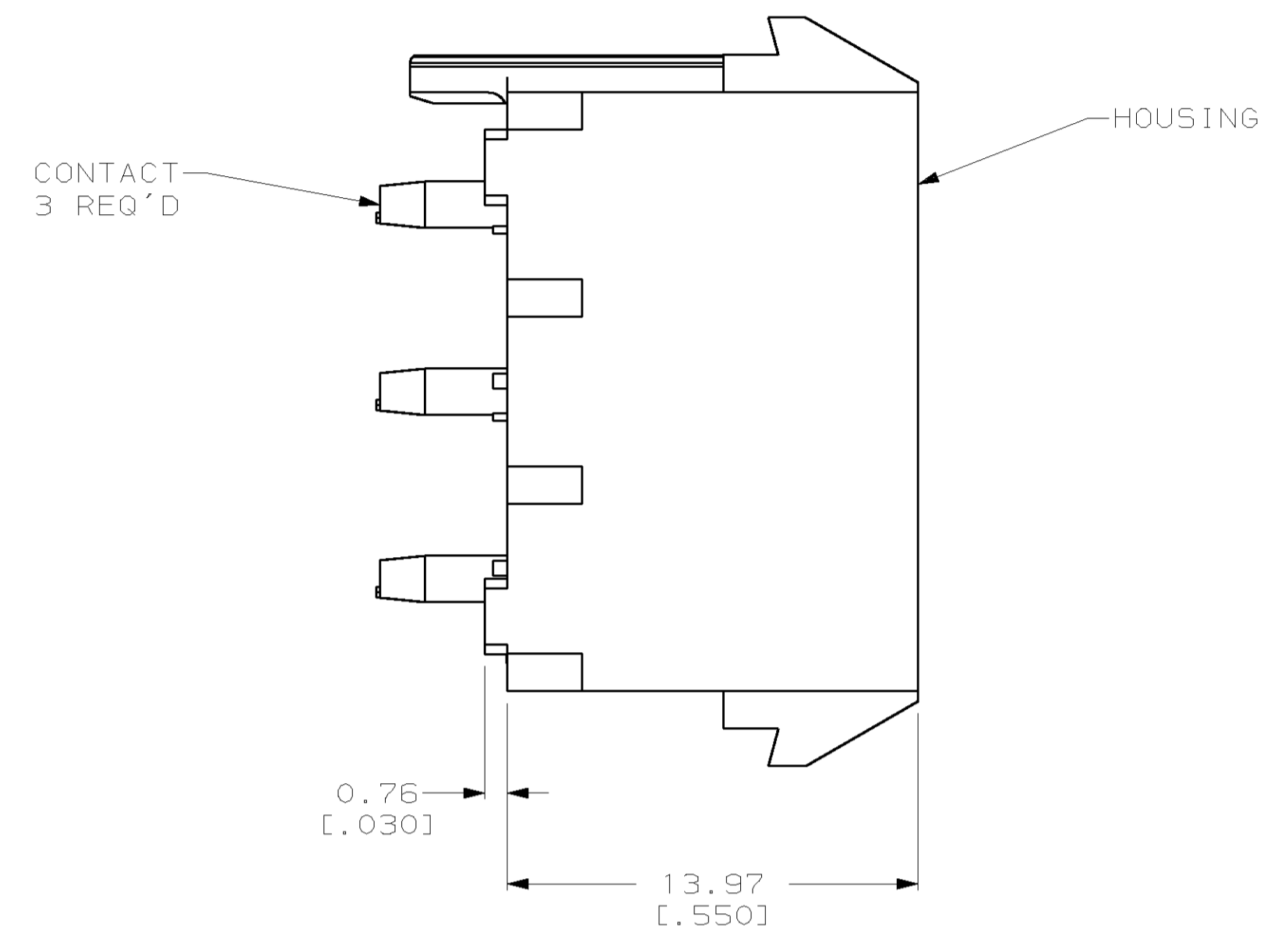
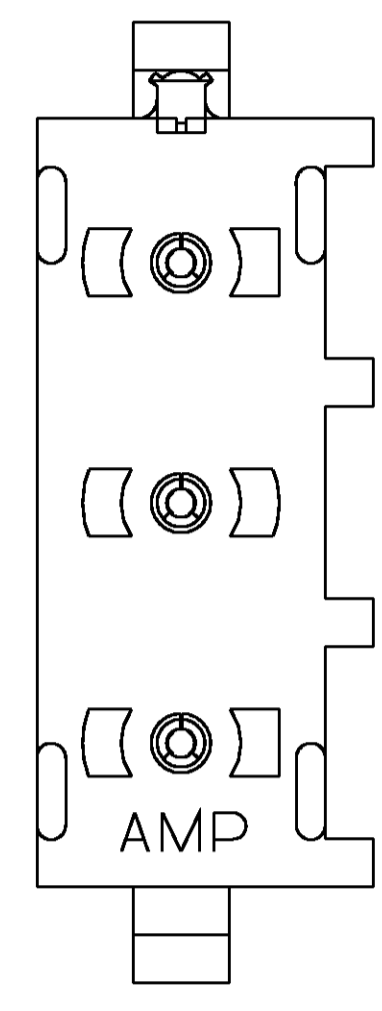
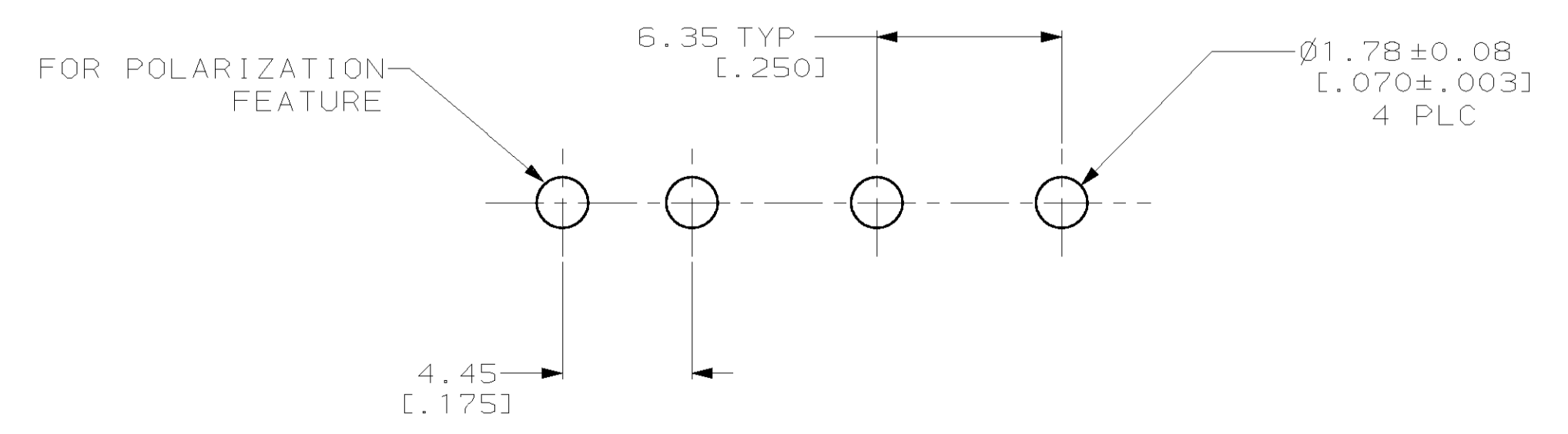


REV. NO.		REVISIONS			
LOC	DIST	REV	DATE	BY	APPROV
CM	00	H	07-JAN-00	LM	KC
		REV & REDWN PER EC 0638-0222-99			

- PARTS COMPLY TO AMP SOLDERABILITY SPECIFICATION 109-11-3.
-  CIRCUIT IDENTIFICATION CHARACTERS ARE ADJACENT TO THE INDICATED CAVITIES, BUT LOCATION AND ORIENTATION MAY DIFFER FROM PRINT.
- DIMENSIONS IN BRACKETS ARE IN INCHES.



3-DIMENSIONAL MODEL  
NTS



RECOMMENDED MOUNTING HOLE PATTERN  
FOR 1.57 [.062] THICK P.C. BOARD

PHOSPHOR BRONZE, PRE-TIN PIN CONTACT MATERIAL AND FINISH	NYLON, UL94V-2, NATURAL HOUSING MATERIAL	643413-1 PART NO
THIS DRAWING IS A CONTROLLED DOCUMENT.		DWN L. McEACHIN 07-JAN-2000
DIMENSIONS: mm (INCHES)		CHK K. COBLE 07-JUN-2000
TOLERANCES UNLESS OTHERWISE SPECIFIED:		APPROV K. COBLE 07-JUN-2000
0 PLC ±	1 PLC ±	NAME SOCKET HEADER ASSEMBLY, POLARIZED, 3 CIRCUIT UNIVERSAL MATE-N-LOK™
2 PLC ±0.13 [.005]	3 PLC ±	PRODUCT SPEC
4 PLC ±	5 PLC ±	APPLICATION SPEC
ANGLES	40°-30°	SIZE A1
MATERIAL SEE TABLE	FINISH SEE TABLE	CAGE CODE 00779
CUSTOMER DRAWING		DRAWING NO 643413
WEIGHT		SCALE 5:1
SHEET 1 OF 1		REV H

